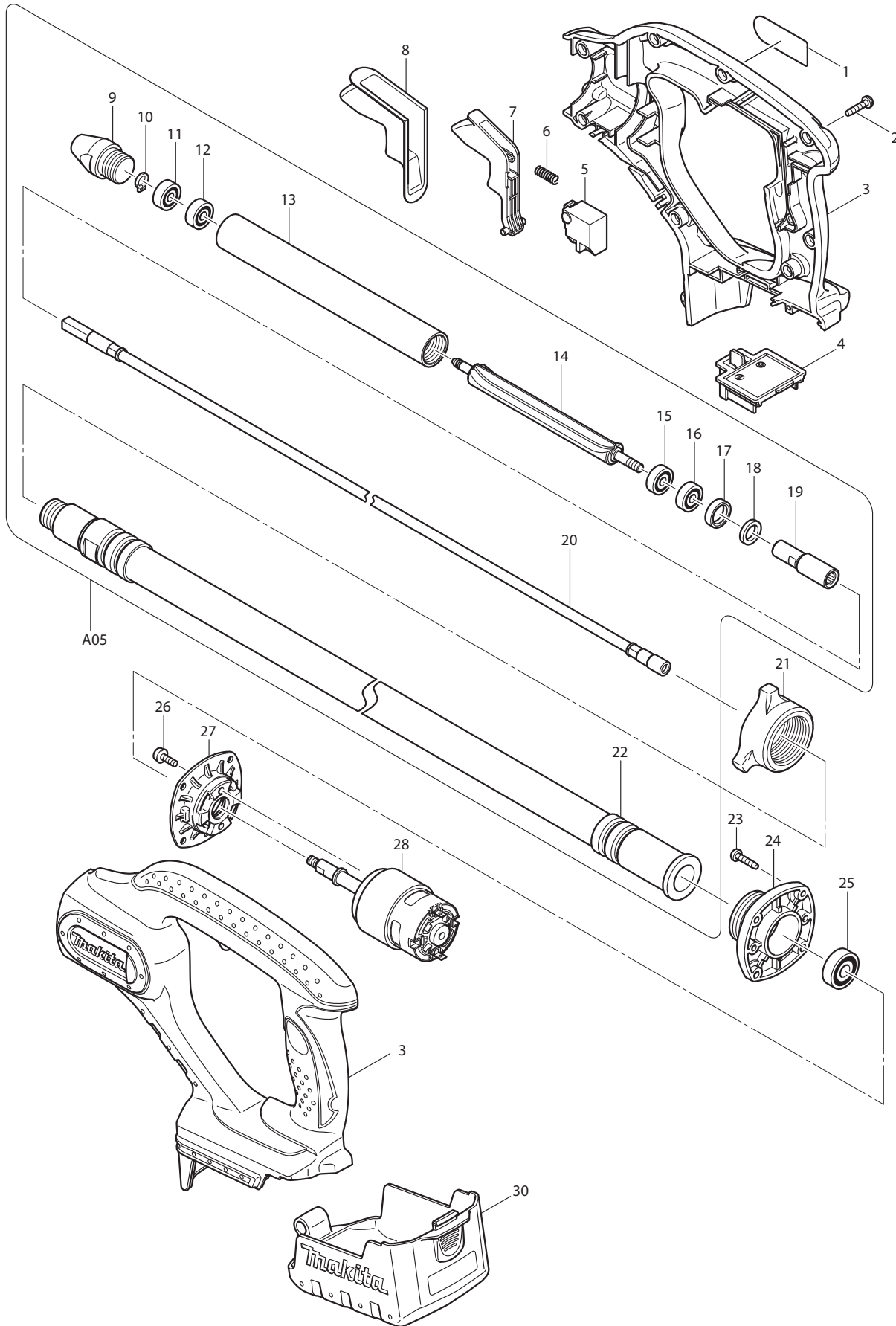




05 - 2014  
DVR450F,DVR450RFE,DVR450Z  
18V CONCRETE VIBRATOR (4.0FT)



Item No	Type	Ref	Part No	Description	Qty	Unit
001			850D48-4	DVR450 NAME PLATE	1	PC.
002			266045-0	TAPPING SCREW 4X20	9	PC.
		INC.	802J50-9	CAUTION LABEL (W/NO BATTERY NO.)	1	PC.
003			187974-3	HOUSING SET	1	SET
004			643843-3	TERMINAL	1	PC.
005			650580-2	SWITCH SGE120C-4	1	PC.
006			231298-0	COMPRESSION SPRING 6	1	PC.
007			419511-8	SWITCH LEVER	1	PC.
008			421961-5	WATERPROOF COVER	1	PC.
009			322935-8	CAP	1	PC.
010			961002-0	RETAINING RING S-6	1	PC.
011			210018-5	BALL BEARING 626	1	PC.
012			210018-5	BALL BEARING 626	1	PC.
013			331503-6	PIPE 25	1	PC.
014			322934-0	UNBALANCER	1	PC.
015			211016-2	BALL BEARING 626LLB	1	PC.
016			211016-2	BALL BEARING 626LLB	1	PC.
017			421578-4	RUBBER RING	1	PC.
018			443101-5	FELT RING	1	PC.
019			326203-1	JOINT	1	PC.
020			163534-5	FLEXIBLE WIRE	1	PC.
021			416244-6	NUT 36	1	PC.
022			163537-9	FLEXIBLE HOSE	1	PC.
023			266045-0	TAPPING SCREW 4X20	4	PC.
024			316893-8	BEARING BOX	1	PC.
025			211056-0	BALL BEARING 629LLB	1	PC.
026			911118-1	PAN HEAD SCREW M4X12	2	PC.
027			318038-4	SUPPORTER	1	PC.
028			629836-4	DC MOTOR	1	PC.
		INC.	810195-9	CAUTION LABEL	1	PC.
030			154948-9	COVER COMPLETE	1	PC.
C01			848001-8	CARTON	1	PC.
D01			652008-6	PAN HEAD SCREW M3.5X7	2	PC.
D02			654086-2	RECEPTACLE	2	PC.
D03			654117-7	INSULATING TERMINAL	2	PC.
D04			654199-9	RECEPTACLE	2	PC.
D05			654562-6	INSULATED CONNECTOR 35115	2	PC.

### **ACCESSORIES**

- See Catalogue or visit [www.makita.ca](http://www.makita.ca) for more accessories -

A01			-----	BATTERY CHARGER		
A02			-----	18V LI-ION BATTERY		
A03	1		141481-0	PLASTIC CARRYING CASE	1	PC.
	1	INC.	417383-5	LATCH	2	PC.
	2		821766-7	PLASTIC CARRYING CASE	1	PC.
	2	INC.	417383-5	LATCH	2	PC.
A04			-----	LI-ION BATTERY ACCESSORIES		
A05			126206-3	FLEXIBLE ASSEMBLY F/4.0FT	1	PC.
		INC.		Item No. 9-20,22		
	Opt.		126207-1	FLEXIBLE ASSEMBLY F/2.8FT	1	PC.
	Opt.		126208-9	FLEXIBLE ASSEMBLY F/8.0FT	1	PC.